



## Orifice plates

---

Why do we use an orifice plate?

These are frequently used for measuring the flow rate of gases and Liquids (Fluids) through pipelines but can also be used to choke the flow and so limit the throughput.

# Orifice plates

Orifice plates can be designed and calculated in compliance with any required standard. Den Holder standard orifice plates are manufactured from stainless steel 316L, featuring a gasket surface and accompanied by material certificates 3.1.

Additionally, other materials and designs are available, including those conforming to standards such as DIN, JIS, and RTJ, with options for oval, octagonal, or grooved configurations.

Den Holder ensures precision by stamping the measured orifice diameter onto the tag plate, enabling accurate use of dimensions in flow computation. Strength calculations can also be provided to verify the plate's thickness against pressure loss.

With a stock of base materials in the most common sizes, competitive pricing and quick delivery times are ensured. For urgent requirements, rush deliveries can be accommodated, often on the same day.

## ORDERING DATA

### DESIGN CODES

• ISO 5167, DIN 1952, BS 1042, AGA, API, Miller, Spink or customers standard

### TYPE OF PLATE

• Square edge • Conical entrance • Quarter circle • Restriction • Eccentric • Segmental  
• RTJ interchangeable or integral

### GASKET FACING

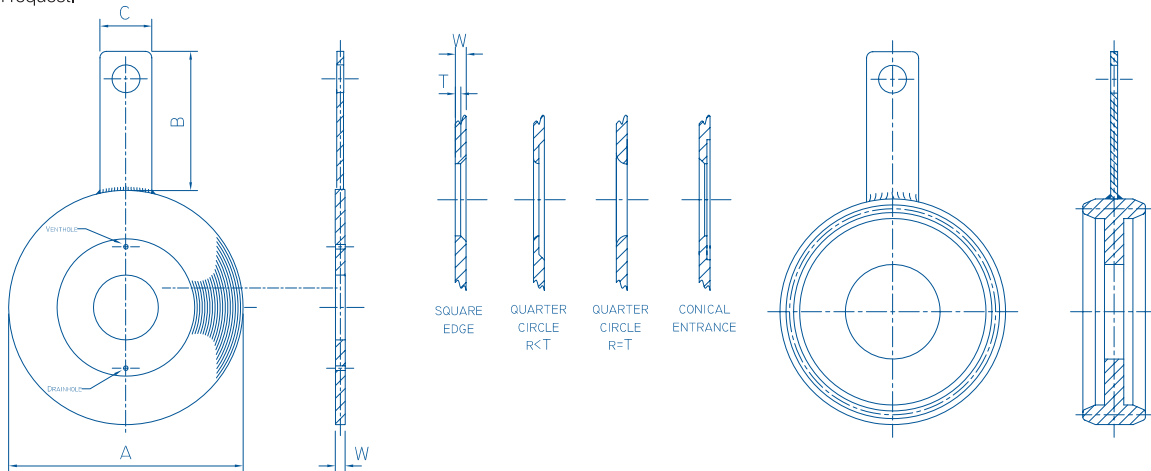
• RF, FF, RTJ oval, RTJ octagonal or RTJ-grooves

### MATERIALS

• SS304/316/316L/316Ti/321 • Monel • Duplex / Super Duplex • Hastelloy C22, C276  
• Alloy 20 • Titanium • PTFE

Line size	A														B	C	W	T
	ASME Class						DIN Nom. -pressure											
	150	300	600	900	1500	2500	NP10	NP 16	NP 25	NP 40	NP 64	NP 100						
1/2"	15	48	54	54				53			63		102	32	1,5	0,4		
3/4"	20	57	67	67				63					102	32	1,5	0,4		
1"	25	67	73	73	79			73			84		102	32	1,5	0,4		
1 1/4"	32	76	83	83	88			84			89		102	32	1,5	0,6		
1 1/2"	40	86	95	95	98			94			104		102	32	2,0	0,8		
2"	50	105	111	111	143	146		107			113	119	102	32	2,5	1,0		
2 1/2"	65	124	130	130	165	168		127			138	144	102	32	3,0	1,0		
3"	80	137	149	149	168	174	196	142			148	154	102	32	3,0	1,5		
4"	100	175	181	194	207	209	235	162		168		174	180	114	38	3,0	1,5	
5"	125	197	216	241	248	254	279	192		194		210	217	114	38	3,0	1,5	
6"	150	222	251	267	289	282	317	218		224		247	257	114	38	3,0	1,5	
8"	200	279	308	321	359	353	387	273		284	290	309	324	127	38	6,0	3,5	
10"	250	340	362	400	435	435	476	328	329	340	352	364	391	152	44	6,0	3,5	
12"	300	410	422	457	498	520	549	378	384	400	417	424	458	152	44	6,0	3,5	
14"	350	451	486	492	521	578		438	444	457	474	486	512	152	44	9,0	6,0	
16"	400	514	540	565	575	641		489	495	514	546	543	572	152	44	9,0	6,0	
18"	450	549	597	613	637	704								152	51	12,0	8,0	
20"	500	606	654	682	697	755		594	617	624	628	657	704	152	51	12,0	8,0	
24"	550	717	775	790	837	901		695	734	731	747	764	813	152	51	16,0	10,0	

Larger sizes on request.



EUROPE  
Minervum 7238  
4817 ZJ Breda  
The Netherlands

Phone +31(0)88 11 67 600  
Email: info@denholder.com

den holder   
www.denholder.com

MIDDLE EAST  
P.O. Box 3949  
Abu Dhabi  
United Arab Emirates  
Phone +971 24 493 841  
Fax +971 24 493 824  
Email: info@denholder.ae